

IT IS HIGHLY RECOMMENDED THAT THE INSTRUCTIONS BE READ THROUGH BEFORE INSTALLATION.



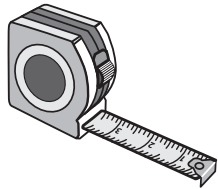
PATIO ENCLOSURES • GAZEBOS • GARAGE DOORS
INSTALLATION INSTRUCTIONS

INSTALLATION TOOLS

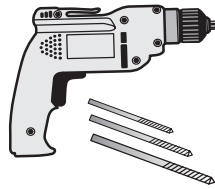
PHILLIPS SCREWDRIVER



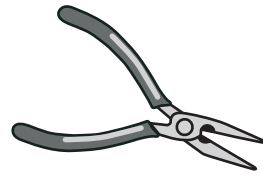
MEASURING TAPE



POWER DRILL & BITS



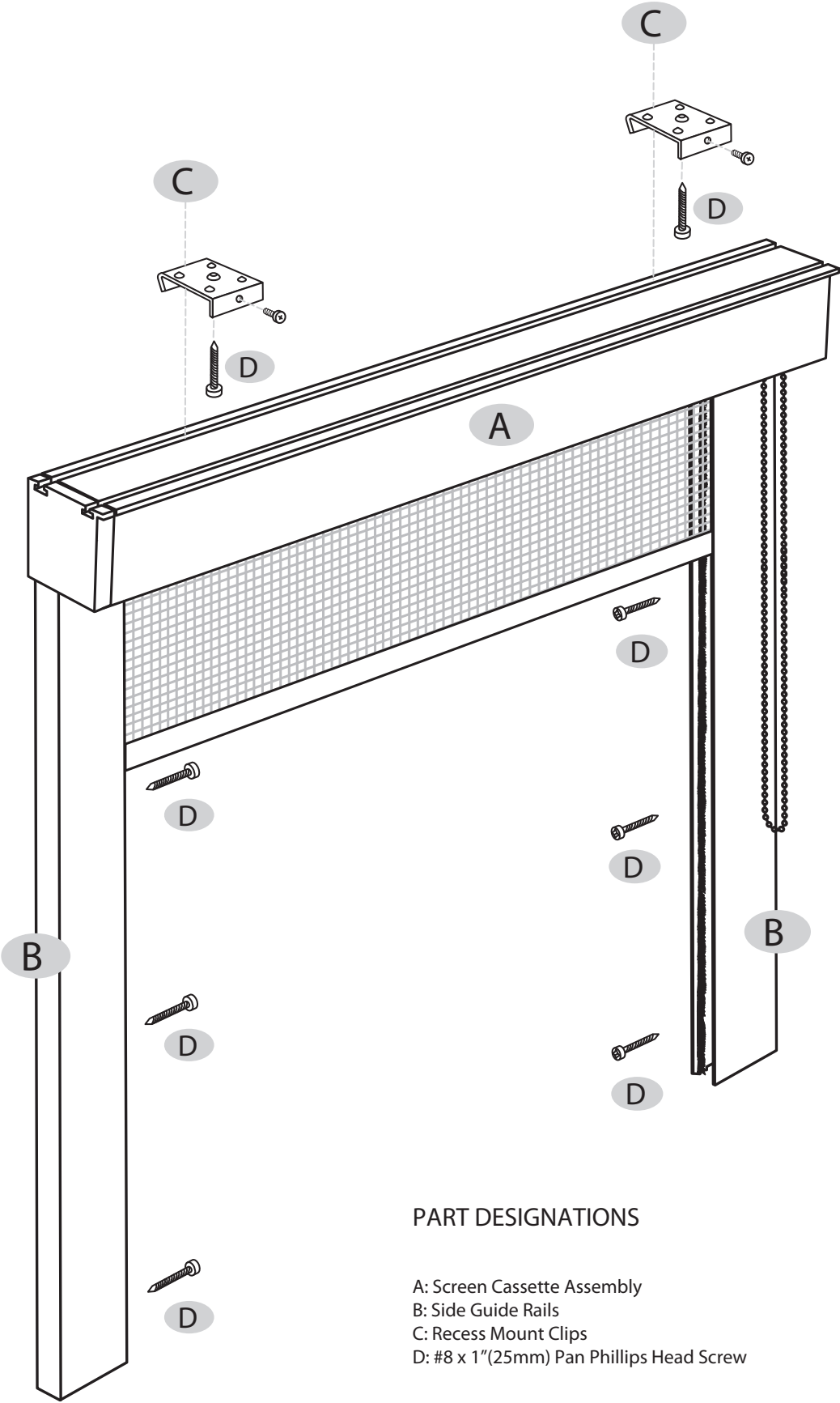
NEEDLE PLIERS



PENCIL OR PEN



The instructions are split into two sections: **RECESS INSTALLATION, PAGE 2,**
and **SURFACE INSTALLATION, PAGE 5.** Determine which you need before starting.

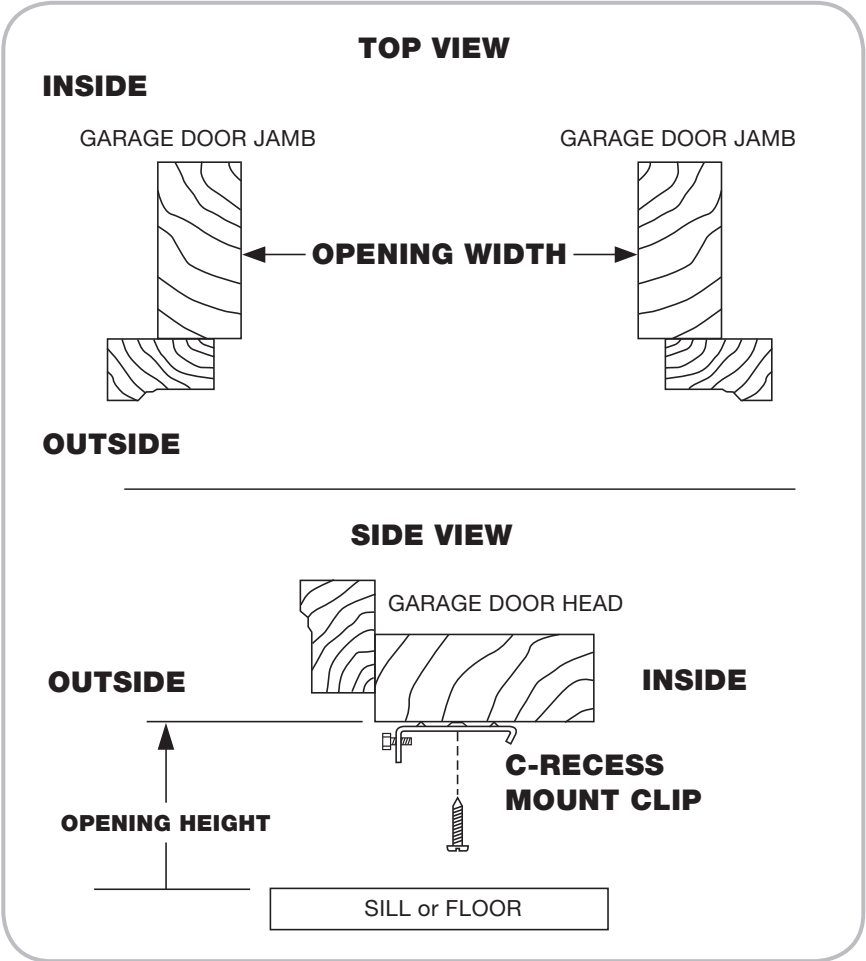


PART DESIGNATIONS

- A: Screen Cassette Assembly
- B: Side Guide Rails
- C: Recess Mount Clips
- D: #8 x 1"(25mm) Pan Phillips Head Screw

1 MEASURING

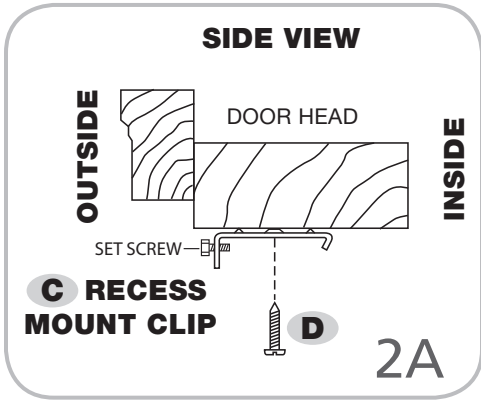
Determine the maximum opening height & width for mounting your screen, as shown below. Check for interference with head of opening.



OPENING WIDTH = _____

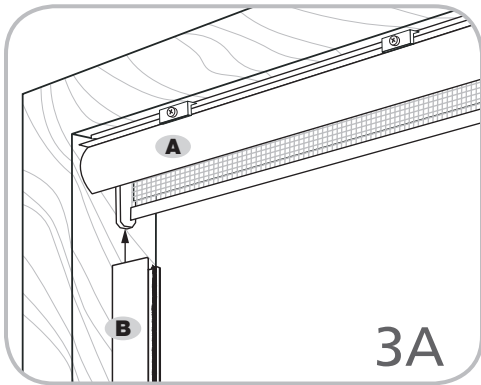
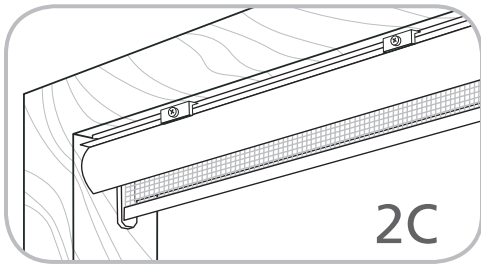
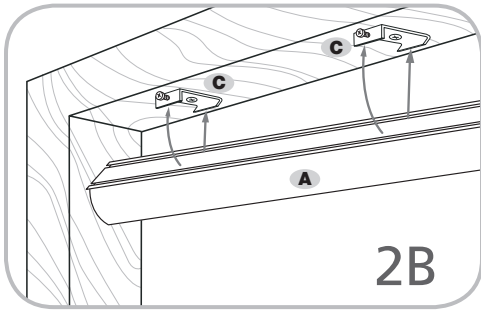
X

OPENING HEIGHT = _____



2 MOUNTING THE SCREEN CASSETTE

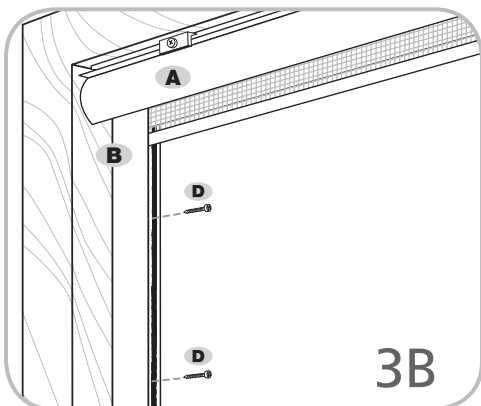
On a recess installation, the A-Screen Cassette Assembly will be fastened to the inside top with C-Recess Mount Clips. Measure how deep into the door jamb you wish the Cassette Assembly to be installed. Using the D-#8 x 1" (25mm) Pan Phillips Head Screws, screw the Mount Clips to the top approximately 6" in from each side. For wider openings, space any remaining clips evenly along the top. Make certain that the Mount Clips diagonal flange is at the back and the Set Screws are facing the front (2A). With clips screwed to the jamb securely, position the Screen Cassette Assembly so that the back flanges of the Mount Clips fit into the groove at the top and back of the Cassette Assembly (2B). Then bring the front of the Cassette up, so that the top of the Cassette Assembly is flat against the clips. With the Cassette Assembly positioned correctly within the opening, tighten the Mount Clip Set Screws so that the Cassette Assembly is secure, and straight within the opening (2C).

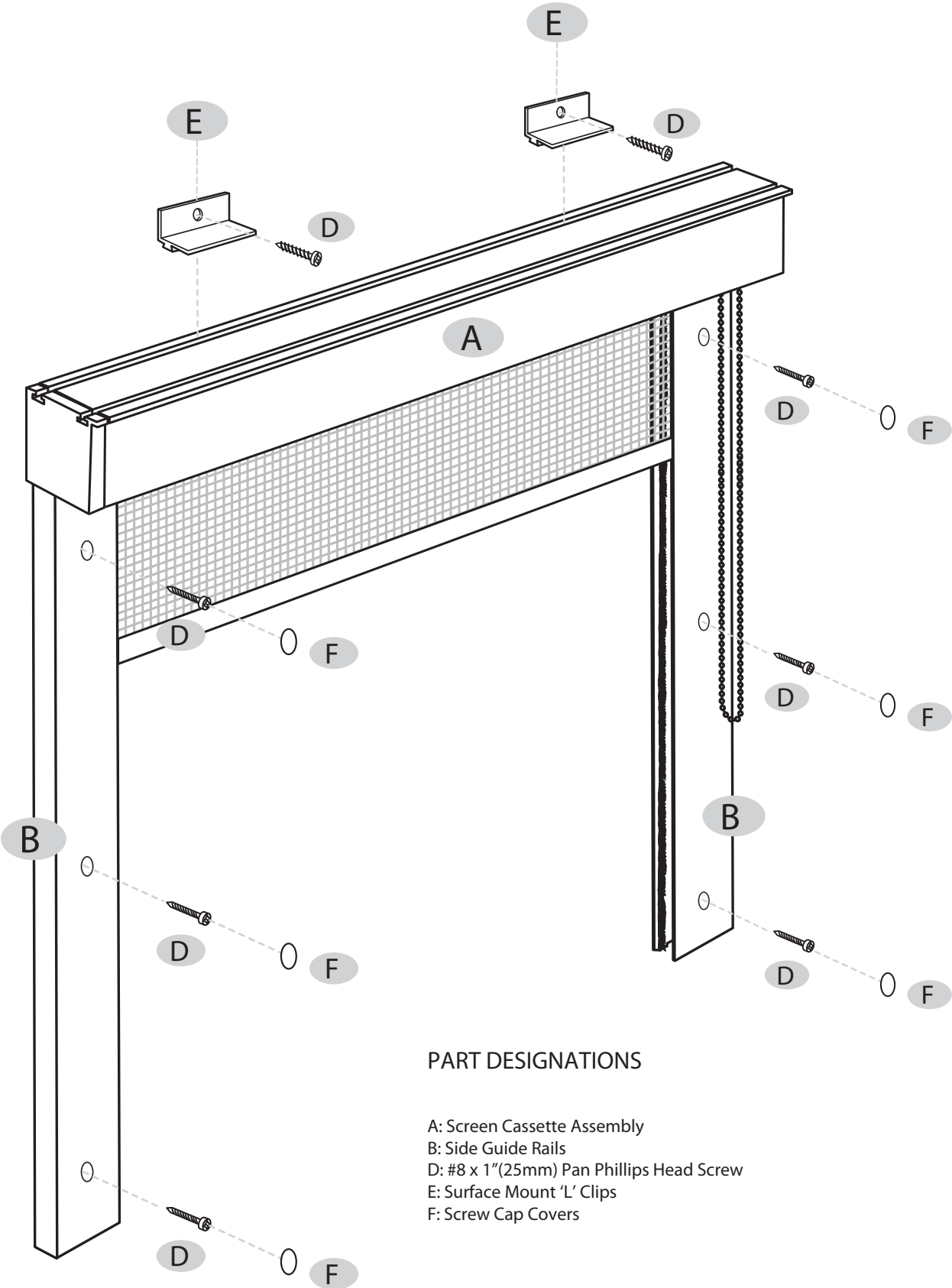


3 INSTALLING THE SIDE GUIDE RAILS

Using pliers crimp the ends of the channels so that the brush pile does not move. Slide both B-Side Guide Rails onto the nylon tabs that protrude from the End Caps of the A-Screen Cassette Assembly (3A) (NOTE: make sure the left and right edges of the Screen and Screen Pull Bar are inside the Side Guide Rails). Attach the B-Side Guide Rails to the opening using D-#8 x 1" (25mm) Pan Phillips Head Screws (3B).

MOTORIZED SCREENS: If you purchased a motorized screen you will need to set the limits (the start and stop points of the screen) once the screen is installed. Please see the separate operating instructions that accompanied your remote control.



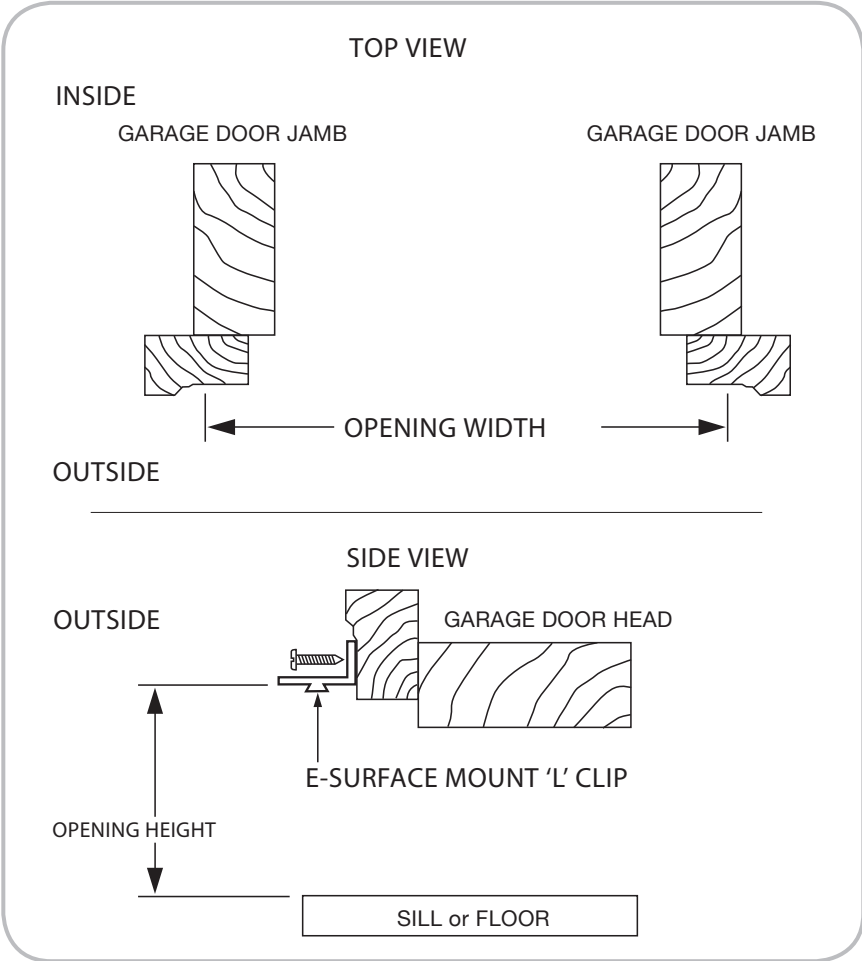


PART DESIGNATIONS

- A: Screen Cassette Assembly
- B: Side Guide Rails
- D: #8 x 1"(25mm) Pan Phillips Head Screw
- E: Surface Mount 'L' Clips
- F: Screw Cap Covers

MEASURING

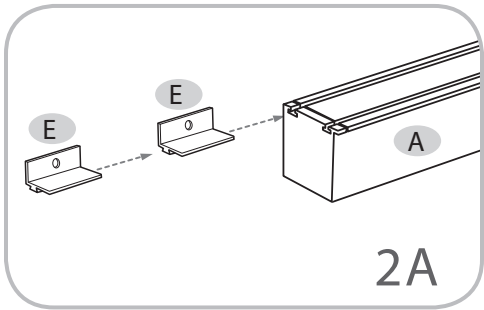
Determine the maximum opening height & width for mounting your screen, as shown below. Check for interference with head of opening.



OPENING WIDTH = _____

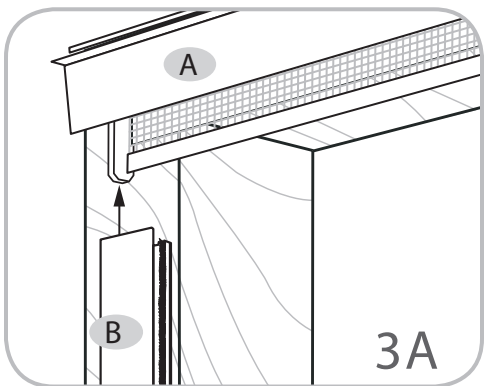
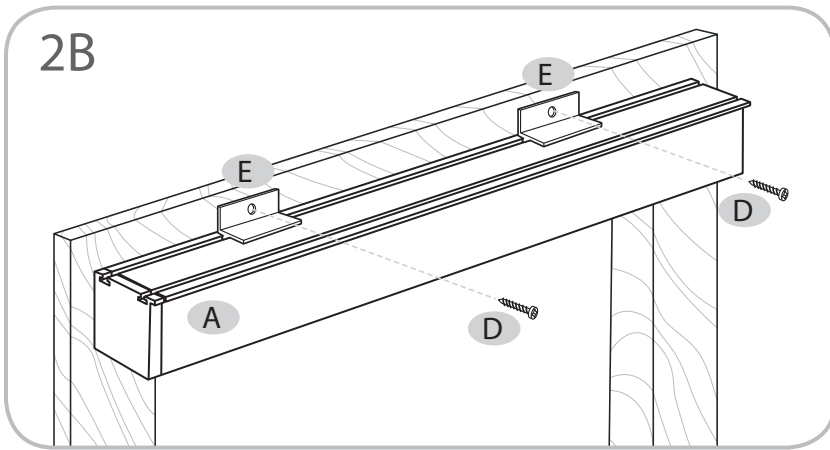
X

OPENING HEIGHT = _____



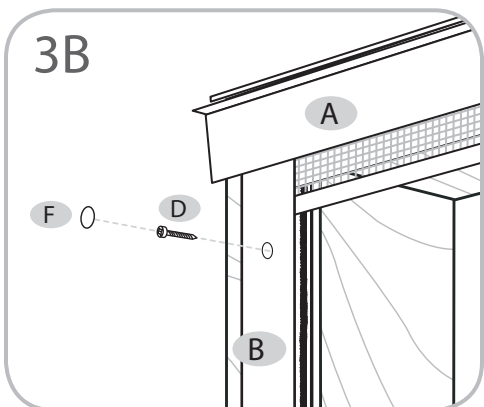
MOUNTING THE SCREEN CASSETTE

Slide the e-surface mount 'L' clips into the back channel on the top of the A-screen cassette (2A). Using the D-#8 x 1"(25mm) Pan Phillips Head screws, screw the mount clips approximately 6" in from each side. For wider openings, space any remaining clips evenly along the top.



INSTALLING THE SIDE GUIDE RAILS

Using pliers crimp the ends of the channels so that the brush pile does not move. Slide B-inside rails onto the tabs protruding from the f and g-cassette caps (3A). Use an 1/8" drill bit and first drill through both sides of the B-inside rails where they are to be fastened. Next, using a 3/8" bit, drill through the outside face only. This will allow you to snap the n-screw cap covers in place. Square and attach B-inside rails with P-#8 x 1"(25mm) Phillips Panhead screws. n-screw cap covers. (3B).



Motorized Torize D screens: If you purchased a motorized screen you will need to set the limits (the start and stop points of the screen) once the screen is installed. Please see the separate operating instructions that accompanied your remote control..