



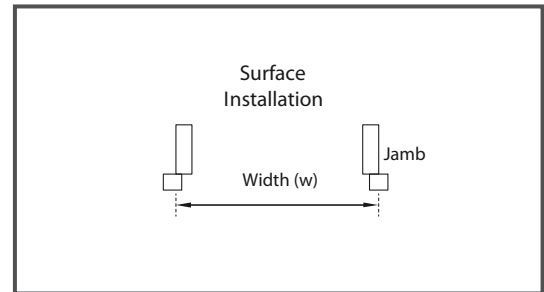
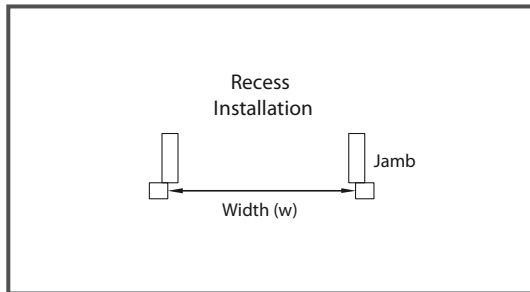
# LEGENDS RETRACTABLE DOOR SCREENS

MAGNETIC LATCHING DESIGN SYSTEM 42

## INSTALLATION INSTRUCTIONS

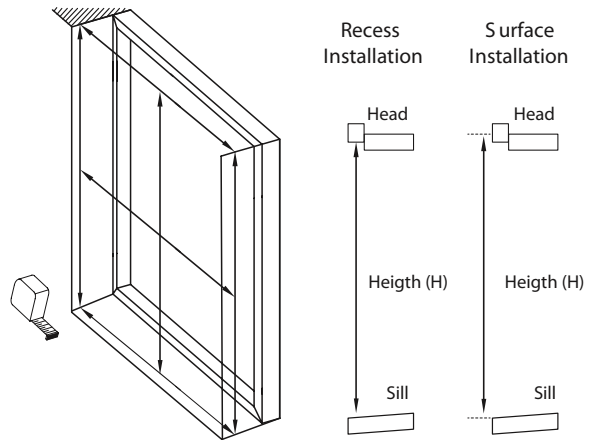
### 1 MOUNTING OPTIONS

**Recess Installation:**  
Mount the Screen Cassette using Recess Mounting Clips Recess within the door jamb area. Recess installations are the most typically used application.



### 2 MEASURING

Measure the opening width and height in several places - see illustration. Record the **SMALLEST** width and height measurement.



## INSTALLATION

NOTE: It is critical that the cassette and rails be installed square and plumb in the opening. If needed use shims to square screen components in the opening.

### 3 INSTALLING THE CASSETTE

#### 9-A Recess Installation:

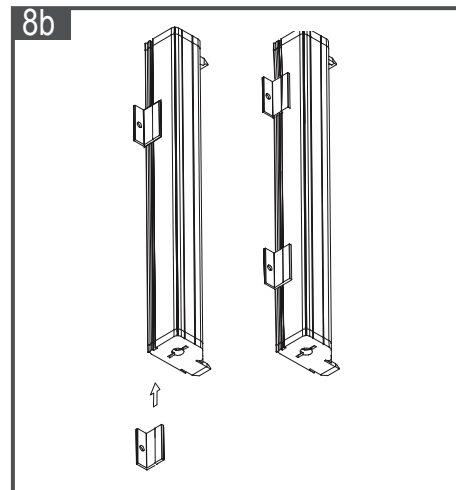
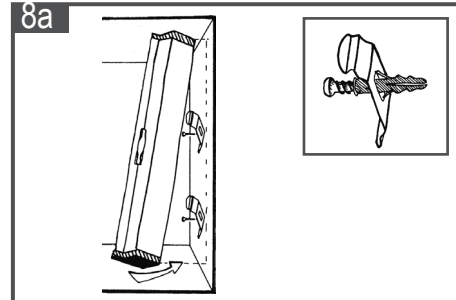
Use screws to install two Recess Mounting Clips to the door frame (Fig.8a).

Snap the Cassette onto the mounting clips (Fig.8a).

Clip the case onto the bracket. Next the guides into the case side ends (Fig.9a). Fix the guides onto the wall. Use the small pile opener (Fig. 10a) to help you to reach the screws).

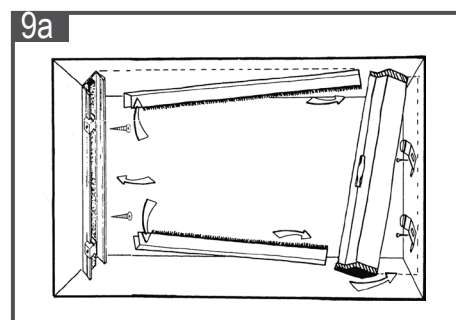
#### 9-B Surface Installation:

Position the cassette, insert screws in L-Clips to secure the screen cassette to the frame (Fig.8b).



### 4 POSITIONING THE RAILS

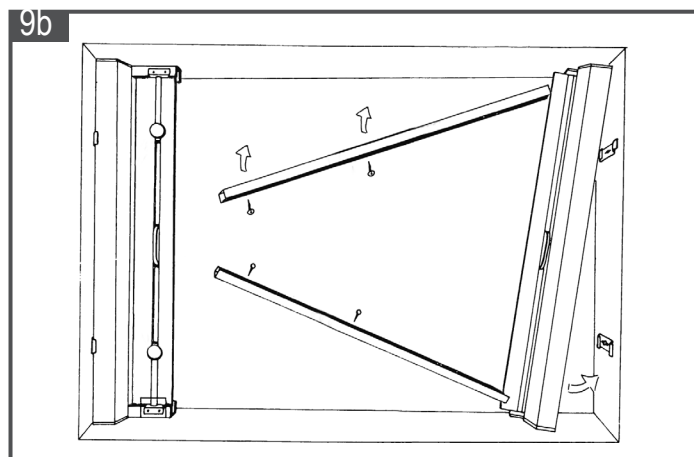
**10-A Single screen:** slide the bottom rail fully onto the tab on the cassette end cap. Make certain that the pull bar end caps rest up on the glide rail platforms within the bottom guide rail (not below within the protected screw chamber area) Repeat this step for the top rail (the larger of the rails). Position the opposite edges of the bottom/top rails within the edges of the side rail and gently move the rails into position within the door opening. (Fig.9a)  
NOTE: the top & bottom rail each has a decorative trim groove on one side. The groove should always face outward (away from the door).



**10-B Double Screens:** slide the bottom rail fully onto the tab on the end cap of the installed cassette. Repeat this step for the top rail (the taller of the rails).

On the opposite end of the rails, insert the tabs of the second Cassette into the bottom and then the top rail.

Move the cassette and rails into position within the door opening then clip the second cassette into the recess mounting clips. (Fig.9b)



## 5 Secure the rails with screws

### 12-A Recess installation:

When installing the bottom and top guide rail it is helpful to press and slide the convenient plastic pile opener into the rail to temporarily separate the insect pile to see and work within. This is useful when installing the screws. Remove and discard the plastic pile opener when finished.

Position the screen in the opening. Secure the bottom guide rail, top guide rail and side magnetic profile (single screens only), with screws.

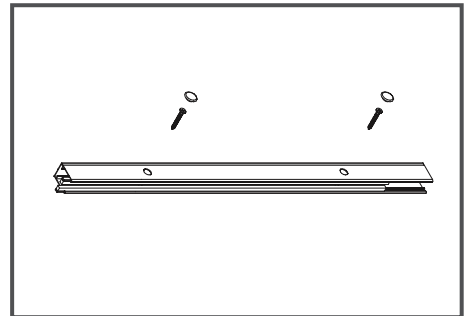
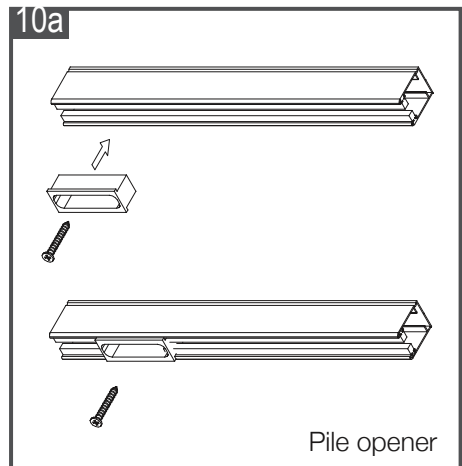
Note: 30x22 top /22 x22 bottom

### 12-B Surface installation:

Top rail: drill two 3/8" holes evenly spaced through the face (one side only) of the rail. Using these holes as a guide, drill 1/8" holes through the rear side of the rails. Using the larger 3/8" holes for access, insert screws into the 1/8" holes and secure the rails to the entry with screws. Complete the installation by inserting the rubber plugs into the access holes.

Note: 30x22 top /22 x22 bottom

Bottom rail: using the decorative trim groove as a guide (staying underneath the glide platforms inside the rail), drill three 1/8" holes evenly spaced through both sides of the rail. Secure the rail to the entry with screws; do not over tighten.



## 6 Slide bolt lock installation

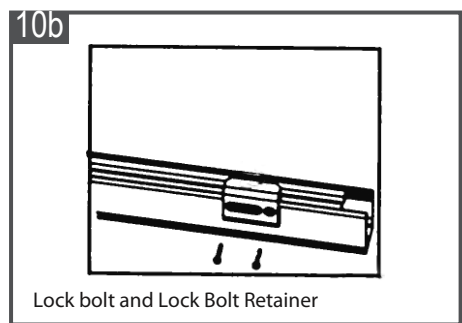
### DOUBLE SCREEN ONLY

Open the passive screen until the magnet is approximately 1-1/2" beyond the center of the entry opening

Position the slide bolt retainer on the bottom rail and align it with the slide bolt

Drill 3/32" pilot holes into the bottom rail and secure with screws

Repeat this for the top rail



### NOTE:

Instruction illustrations are provided for instructional purposes only. The actual shape of a specific component may vary depending upon the retractable screen system.

### CAUTION!

This is not a safety or security screen. This product will not stop a child from falling, provide security or protect your belongings. Please use eye protection when cutting and installing your screen.



**LEGENDS RETRACTABLE SCREENS**

866 898-5304

[www.legendsretractablescreens.com](http://www.legendsretractablescreens.com)



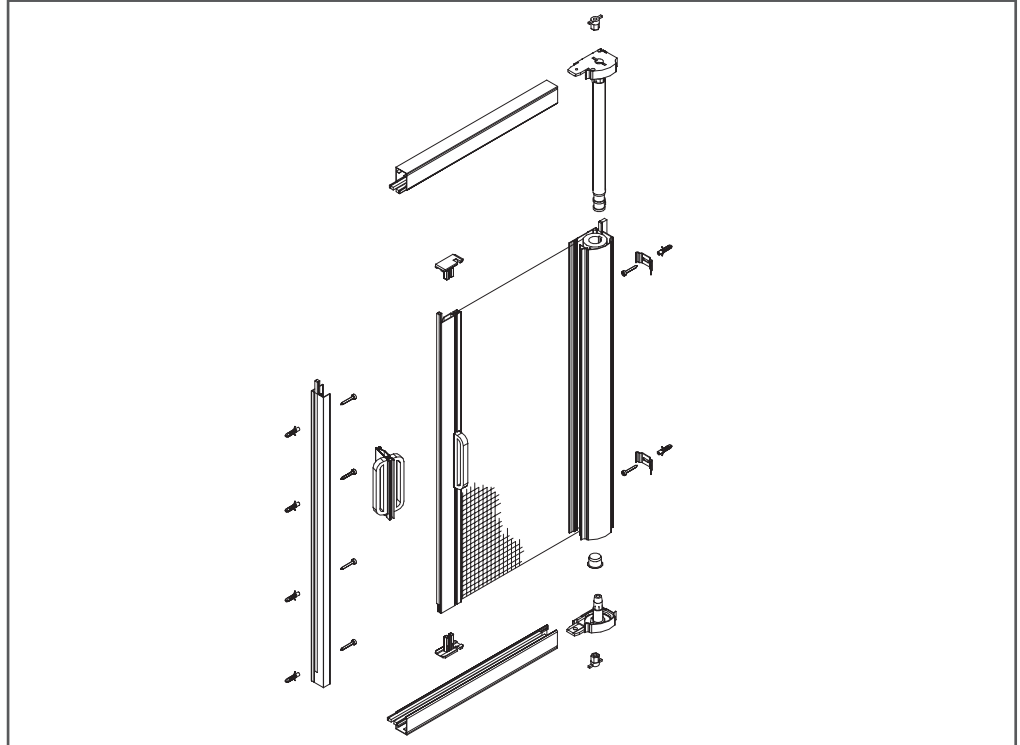
# LEGENDS RETRACTABLE DOOR SCREENS

## MAGNETIC LATCHING DESIGN SYSTEM 42

### SINGLE SCREEN

#### ITEM DESCRIPTION

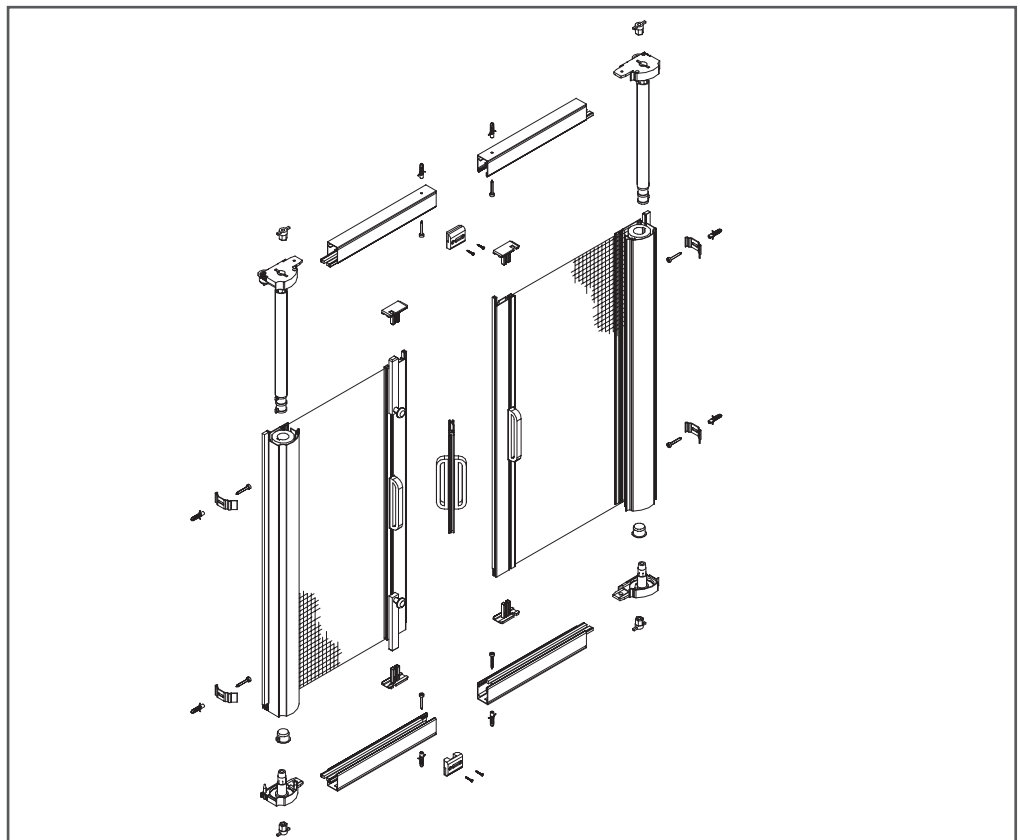
1. Screen cassette
2. End cap
3. Bushing
4. End cap plug
5. Bottom rail (15mm)
6. Spring assembly
7. End cap for pull bar
8. Top rail (30mm)
9. Handles
10. Recess mount clip
11. Pull bar with magnet
12. Magnetic strip (+ or 3)
13. Side rail with magnet
14. Surface mount clip



### DOUBLE SCREEN

#### ITEM DESCRIPTION

1. Screen cassette
2. End cap
3. Bushing
4. End cap plug
5. Bottom rail (15mm)
6. Spring assembly
7. End cap for pull bar
8. Top rail (30mm)
9. Handles
10. Recess mount clip
11. Pull bar with magnet
12. Magnetic strip (+ or 3)
13. Lock bolt retainer
14. Surface mount clip
15. Slide lock bolt





## LEGENDS RETRACTABLE DOOR SCREENS

### MAGNETIC LATCHING DESIGN SYSTEM 42

## TROUBLESHOOTING GUIDE

It is difficult to pull the retractable screen across the opening or the retractable screen seems to bounce as it opens and closes.

Check the top and bottom guide for screws that may not have been driven flush into the guides causing the screen to drag

Clean any debris from inside the bottom guide

Make sure that the cassette housing has a 90° cut. If not, trim so it is a straight cut.

Check to insure that both end cap bushings (item "D") are fully inserted inside screen tube. A bouncing effect is a sign that one or more bushings may not be correctly installed.

Check to see if the pull bar is rubbing and needs to be trimmed down

Check to see that the plastic pull bar end cap is gliding on the glide rails within the bottom rail track and not underneath the glide rails within the screw chamber.

The retractable screen bends or will not retract into the cassette housing properly

The retractable screen bends or will not retract into the cassette housing properly

See above steps

Make sure that the screen fabric has a clean cut and is not jagged; if so, trim so it is a straight cut  
Check to see if either the housing or inner tube have been twisted, bent or otherwise damaged during shipping

Insect pile moves in the top or bottom rails

Ends of the insect pile and aluminium track need to be crimped together to prevent movement

Screen handles hit or rub on door hardware

Raise or lower the handle so that it no longer strikes the door hardware

Screen falls out of the top guide

Height measurements may be off. If the unit was cut too short, shim up along bottom.  
Pull bar may be cut too short. Check measurements and consult the cutting instructions  
Check to see if the floor is level and the opening is square; apply shims as needed

The door bottom threshold has a steep slope causing the retractable screen bottom guide to be on an angle when mounted

The bottom guide should always be as level as possible. Use wedge shims to adjust and for support until the bottom rail is level.

Screen is torn or damaged

Replace the mesh using a screen refill kit

The magnets of the screen do not fully seal or the screen does not close evenly

Clean the magnet using a mild soap and water

Clean any debris from inside the bottom guide. When not properly maintained, debris can accumulate and interfere with the operation of the screen as well as the screens closing and seal capabilities.