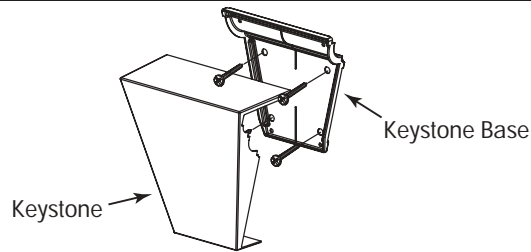


9" Window Header

Keystone Installation & Cutting Instructions

Kit Contains:

- 1 pc. Keystone
- 1 pc. Keystone Base
- 4 pcs. Screws



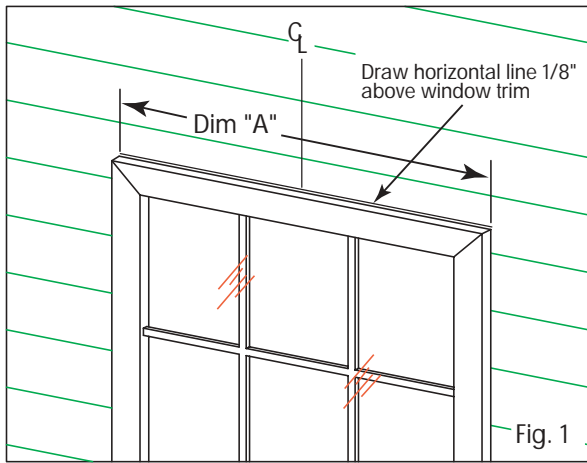
NOTE: IF HEADER IS NOT BEING CUT, COMPLETE STEP 1 AND PROCEED TO STEP 7

Step 1

Remove the Keystone and Keystone Base from the Window Header Assembly. This is done by disengaging the locking tabs of the Keystone and removing the screws from the Keystone Base. See figure above.

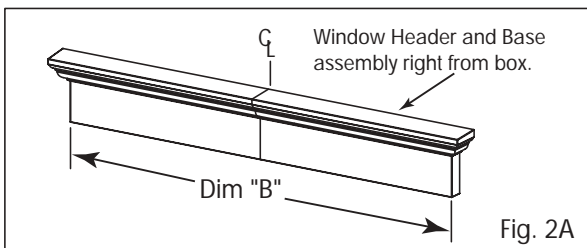
Step 2

Measure the width of the window across the largest measurement to create Dim. "A". Also, draw a horizontal line 1/8" above the window trim. This line will be used to properly space the Window Header from the window trim. See Figure 1 at right.



Step 3A

If your window doesn't match the exact size of the Window Header right from the box, the Window Header will need to be cut. With the Window Header and Window Header Base assembled, mark the center on the assembly. See Figure 2A at right.



Step 3B

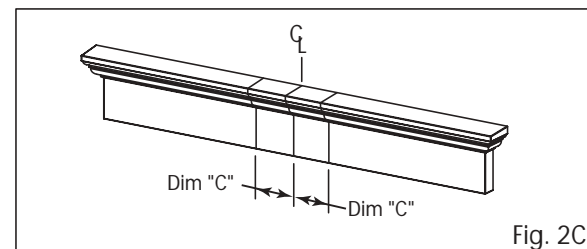
Next, subtract Dim. "A" from Dim. "B" and divide the measurement by 2. This will give you Dim. "C". See Figure 2B at right.

$$\frac{\text{Dim. "B"} - \text{Dim. "A"}}{2} = \text{Dim. "C"}$$

Fig. 2B

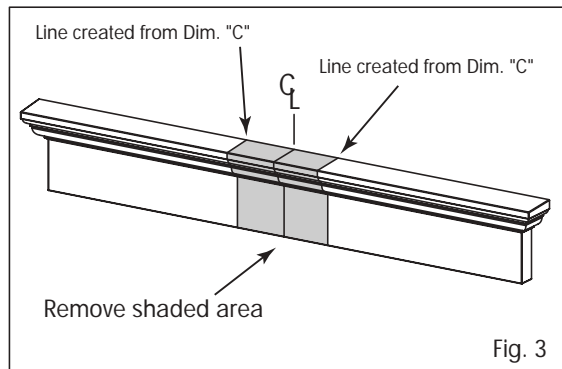
Step 3C

Transfer Dim. "C" to the Window Header Assembly. Dim. "C" will be transferred 2 times; once on each side of the centerline. See Figure 2C at right.



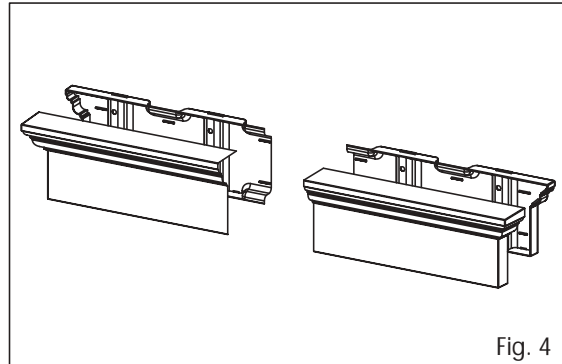
Step 4

Cut the Window Header and Window Header Base assembly at the lines created by Dim. "C". See Figure 3 at right.



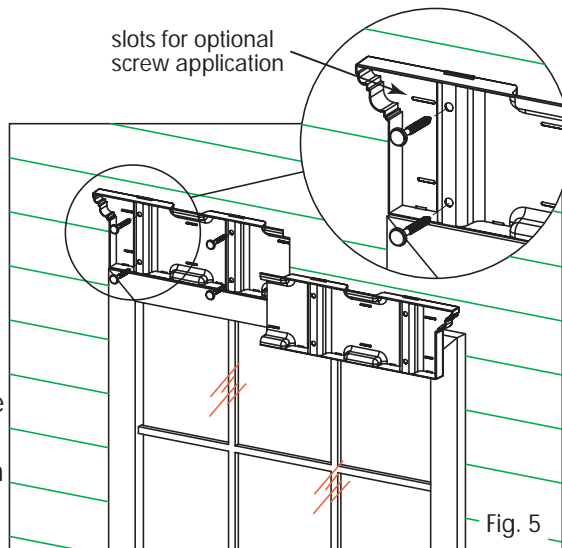
Step 5

Once the Window Header has been cut to the correct length, disengage the locking tabs and remove the Window Header from the Window Header Base. To release the locks, start at the open end of the cut Header Assembly and pull the wall of the Header away from the Header Base. Continue this process, working your way to the end of the cut Window Header Assembly. See Figure 4 at right.



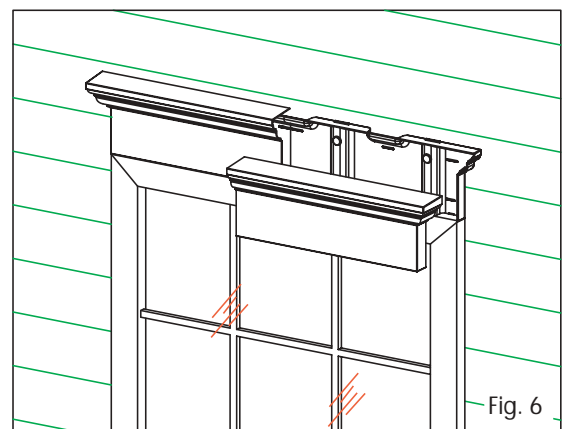
Step 6

Align the bottom of the Window Header Base to the line drawn 1/8" above the window trim. Mate the two cut ends of the Window Header Base to each other. The preferred method of attaching the Window Header Base to the house is to use the Shutter Loks that are enclosed with the Window Header Kit. In order to install the Shutter Loks, 1/4" holes must be drilled into the wall to accept the Shutter Loks. Another method is to use screws. Use the elongated slots in the Header Base and attach the tray to the house using the screws provided with the Window Header Kit. Be sure not to fasten the screws too tightly to allow for expansion and contraction. See Figure 5 at right.



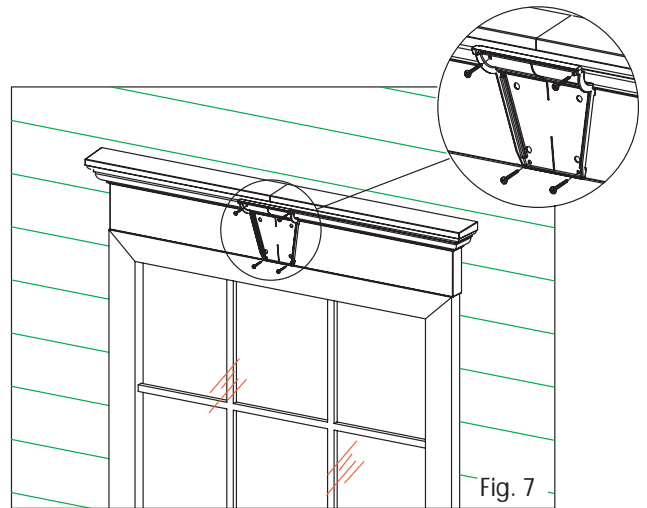
Step 7

With the Window Header Bases securely fastened to the wall, the Window Header can be snapped into place by engaging the locks. See Figure 6 at right.



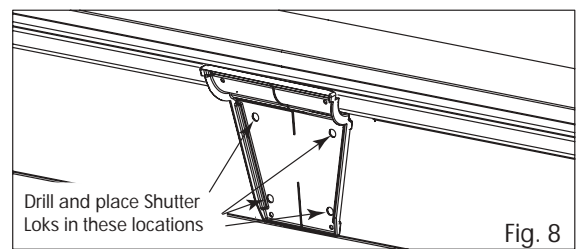
Step 8

Center the Keystone Base over the Window Header Assembly. The tab at the bottom of the Keystone Base is to aid in installation. The bottom of the tab and the bottom of the Window Header should be flush. Screw the Keystone Base into place using the enclosed screws. See Figure 7 at right.



Note:

Shutter Loks may be used to secure the Keystone Base to the Window Header. If Shutter Loks are being used, drill two 1/4" holes through the Window Header and Tray to accept the Shutter Loks. See Figure 8 at right.



Step 9

Snap the Keystone over the Keystone Base. Be sure the lock tabs engage. See Figure 9 at right.

