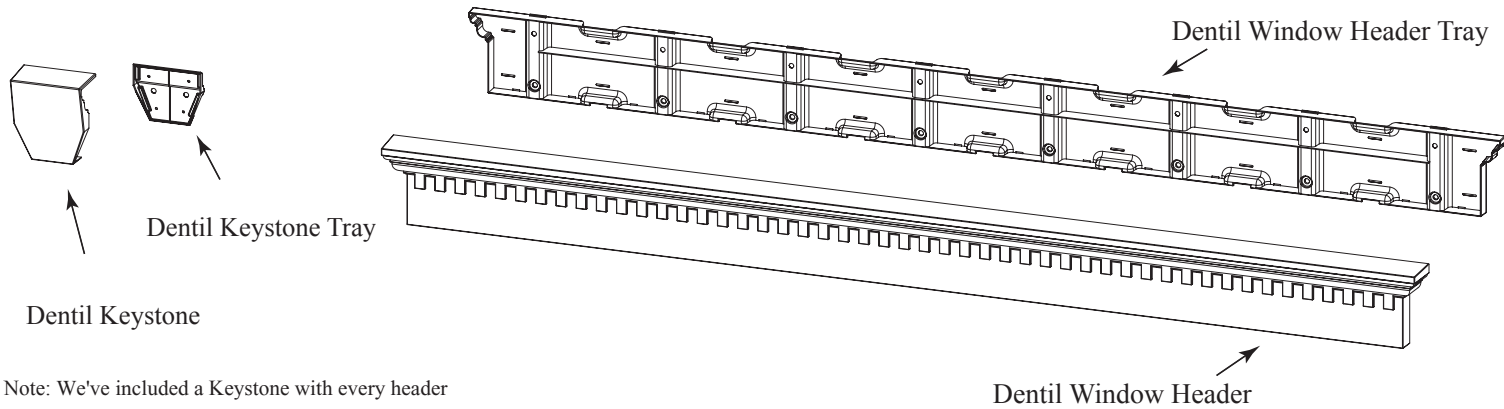


Dentil Window Header 6" & Tray

The Dentil Window Header is a decorative exterior accent for above windows. This simple two piece design allows it to be easily installed above windows using Shutter Loks or screws. Combine the Window Header (or two) with a Window Header Keystone to custom fit windows from 12" to 146 5/8".



FEATURES:

- Available in popular colors.
- Paintable version available.
- Maintenance Free.
- Easy two piece construction for easy assembly.
- Installs fast and easy on any surface including brick or siding.
- Available in lengths of 33 5/8", 37 5/8", 43 5/8", 65 5/8" and 73 5/8"

SPECIFICATIONS:

- Material: UV stabilized copolymer
Color molded in
Paintable/Stainable HIPS available.
Matte finish
- Fabrication: Molded construction.
- Attachment: Shutter Loks or Screws directly to any surface.
- Dimensions: See drawing below (all dimensions in inches)
- Packaging: 1 box (includes: Dentil Window Header, Dentil Window Header Tray & Shutter Loks)
- Patent No: U.S. & Foreign Patents Pending

