

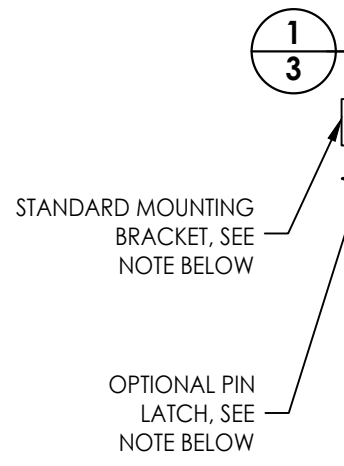
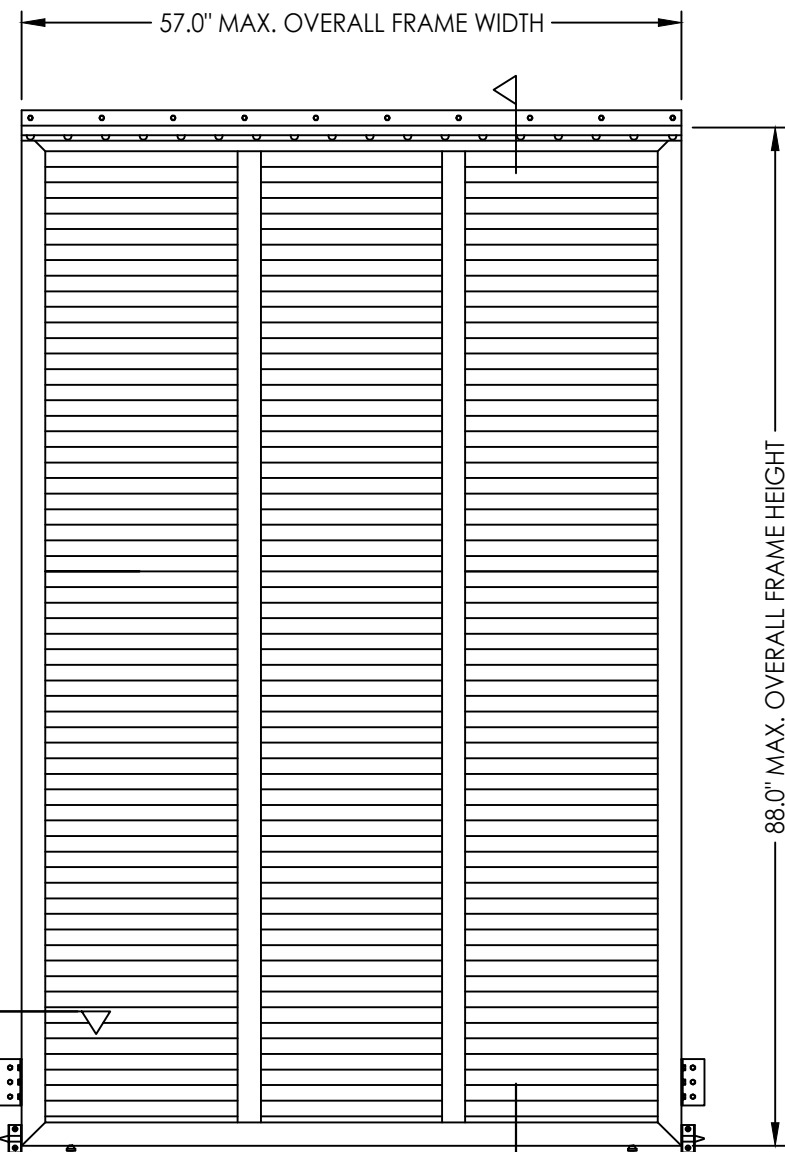
This item has been digitally signed and sealed by L. F. Schmidt, P.E. on the date adjacent to the seal. Printed copies of this document are not considered signed and sealed and the signature must be verified on any electronic copies.

THIS PRODUCT APPROVAL IS VALID ONLY FOR THE STATE OF FLORIDA

# EXTRUDED ALUMINUM BAHAMA HURRICANE SHUTTER "IMPACT"

## GENERAL NOTES

1. This product has been evaluated and is in compliance with the 8th Edition (2023) Florida Building Code (FBC) structural requirements including the "High Velocity Hurricane Zone" (HVHZ).
2. Product anchors shall be as listed and spaced as shown on details. Anchor embedment to base material shall be beyond wall dressing or stucco.
3. When used in the "High Velocity Hurricane Zone" this product complies with FBC Section 1626 and does not require an impact resistant covering.
4. When used in areas outside of the "HVHZ" requiring wind borne debris protection, this product complies with FBC Sections 1609.1.2 & R301.2.1.2 and does not require an impact resistant covering. This product meets missile level "D" and includes Wind Zone 4 as defined in ASTM E 1996 and FBC Sections 1609.1.2.2 & R301.2.1.2.1.
5. Site conditions that deviate from the details of this drawing require further engineering analysis by a licensed engineer or registered architect.
6. Aluminum shutter material shall be 6063-T6.
7. The Engineer or Architect of Record is responsible for determining the wind loads for any specific application and to determine that the existing structure is capable of withstanding the loads imposed by the shutter system.



MAX. FRAME DIMENSION	DESIGN PRESSURE (PSF)	
	POSITIVE	NEGATIVE
57.0" x 88.0"	+80.0	-80.0

NOTE: THE ELEVATION ABOVE SHOWS BOTH THE STANDARD MOUNTING BRACKET AND THE OPTIONAL PIN LATCH (ONLY ONE IS REQUIRED).

TABLE OF CONTENTS	
SHEET#	DESCRIPTION
1	Typical elevation, design pressures & general notes
2	Vertical cross sections masonry & stud construction
3	Horizontal cross sections masonry & stud construction
4	Anchoring locations - stud installation
5	Anchor locations - masonry installation
6	Bill of materials & components

Documents Prepared By:  
Lyndon F. Schmidt  
P.E. No. 43409

**RW** BUILDING CONSULTANTS, INC.  
P.O. Box 230, Valrico, FL 33595  
Phone No.: 813.659.9197  
FBPE Registry No. 9813

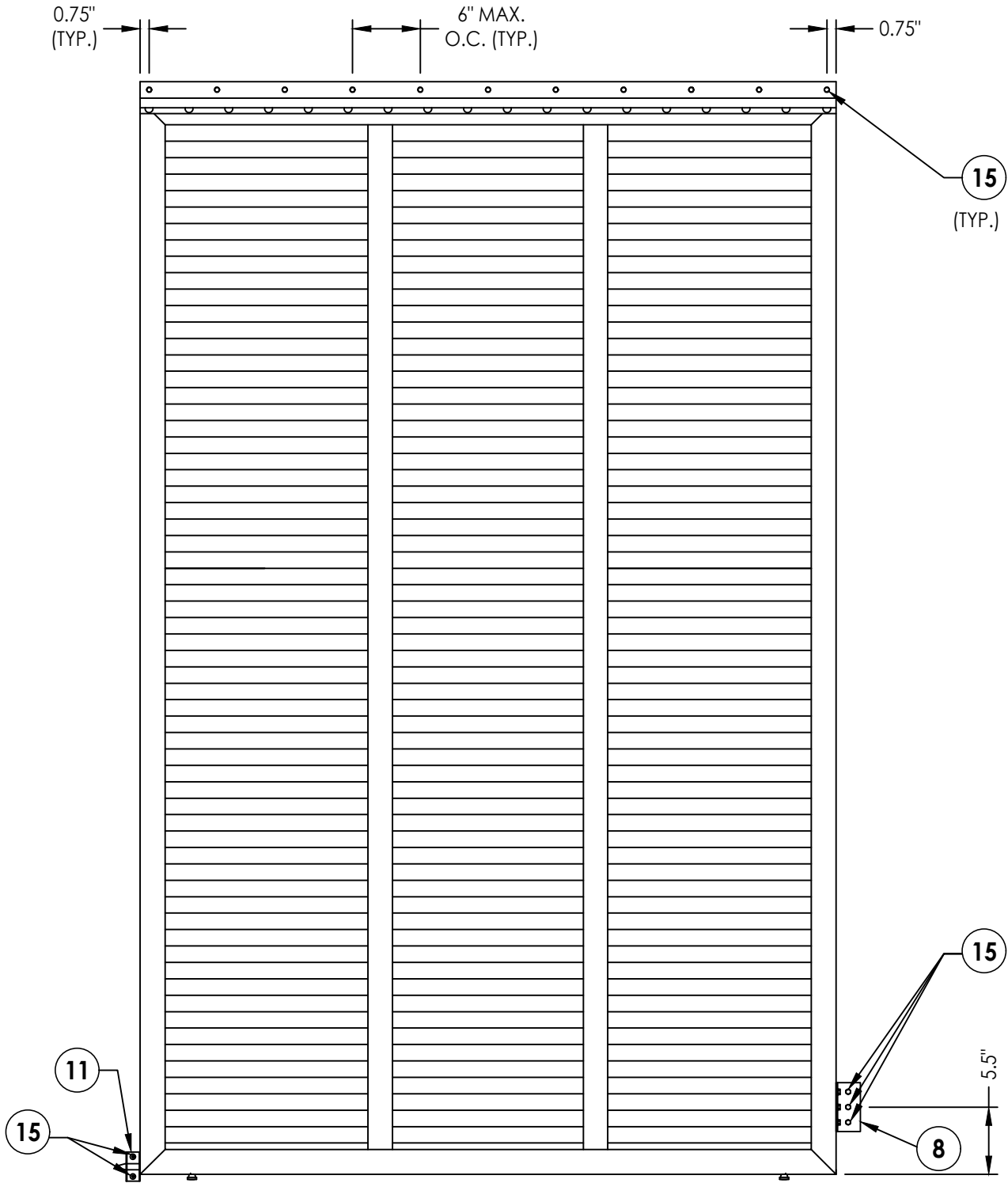
PRODUCT: EXTRUDED ALUMINUM BAHAMA HURRICANE SHUTTER  
PART OR ASSEMBLY: TYPICAL ELEVATION, DESIGN PRESSURES & GENERAL NOTES

NO.	DATE	BY	REVISIONS

DATE: 8/31/23  
SCALE: N.T.S.  
DWG. BY: RW  
CHK. BY: LFS  
DRAWING NO.: FL-42399.1  
SHEET 1 OF 6





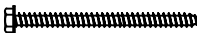
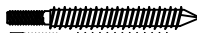
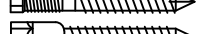
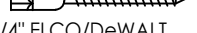


THIS SIDE SHOWN ANCHORED  
WITH STANDARD PIN LATCH

**ANCHORING  
STUD CONSTRUCTION**

THIS SIDE SHOWN ANCHORED  
WITH OPTIONAL MOUNTING BRACKET

**15 WOOD ANCHOR SCHEDULE**

ANCHOR	
WOOD SUBSTRATE (G>=0.55)	 #14 HWH SMS EM = 2.75" CL = 1.5" ED = 0.5"
	 1/4" ELCO/DeWALT PANELMATE MALE/FEMALE EM = 2.75" CL = 1.5" ED = 0.75"
	
	

EM = MINIMUM EMBEDMENT (PENETRATION)  
CL = MINIMUM CENTER TO CENTER ANCHOR SPACING  
ED = MINIMUM EDGE DISTANCE

Documents Prepared By:  
Lyndon F. Schmidt  
P.E. No. 43409

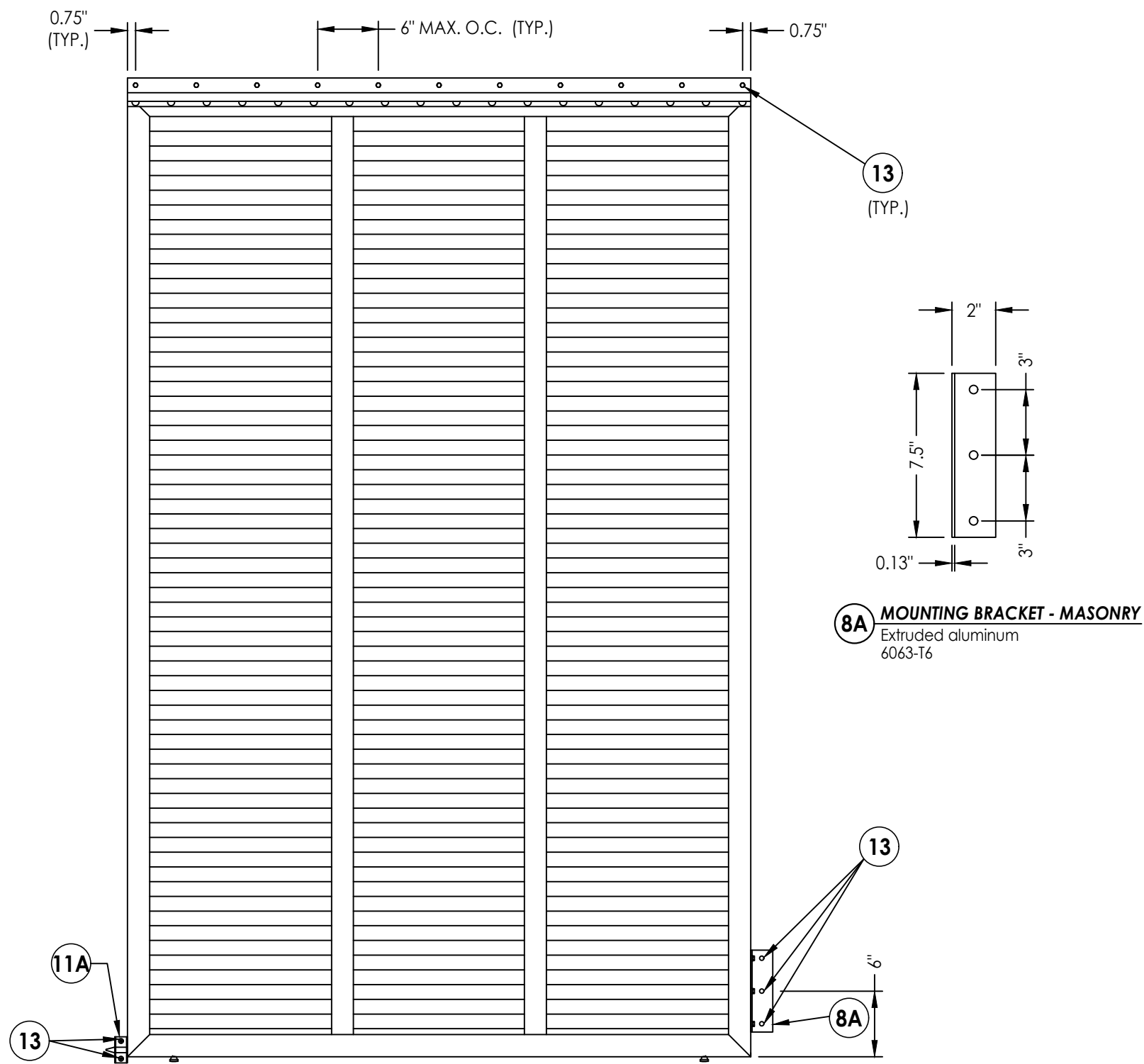
*RW* BUILDING CONSULTANTS, INC.  
P.O. Box 230, Vairico, FL 33595  
Phone No.: 813.659.9197  
FBPE Registry No. 9813

PRODUCT:	EXTRUDED ALUMINUM BAHAMA HURRICANE SHUTTER
PART OR ASSEMBLY:	ANCHORING LOCATIONS STUD INSTALLATION

NO.	DATE	BY	REVISIONS

DATE:	8/31/23
SCALE:	N.T.S.
DWG. BY:	RW
CHK. BY:	LFS
DRAWING NO.:	FL-42399.1
SHEET	4 OF 6

Z:\2023 FBC Drawings\N.A.S.A\FL-42399\FL-42399.1.dwg



**8A MOUNTING BRACKET - MASONRY**  
 Extruded aluminum  
 6063-T6

**13 MASONRY ANCHOR SCHEDULE**

ANCHOR	ANCHOR
<p>CONCRETE CONFORMING TO ACI 301</p> <p>1/4" TAPCON SG            EM = 1.75"            CL = 3"            ED = 1.25"            (3,295 PSI MIN. CONC.)</p>	<p>HOLLOW BLOCK CONFORMING TO ASTM C90</p> <p>1/4"Ø ITW RED HEAD DYNABOLT SLEEVE ANCHOR            EM = 1.125"            CL = 6"            ED = 1.5" <b>HEAD ONLY</b></p>
<p>1/4"Ø ITW RED HEAD DYNABOLT SLEEVE ANCHOR            EM = 1.125"            CL = 3"            ED = 1.5"            (3000 PSI MIN. CONC.)</p>	<p>1/4" ALL POINTS SOLID-SET ANCHOR            EM = 0.875"            CL = 3"            ED = 2"</p>
<p>1/4" ALL POINTS SOLID-SET ANCHOR            EM = 0.875"            CL = 3"            ED = 2"            (3,000 PSI MIN. CONC.)</p>	
<p>1/4" ITW TAPCON            EM = 1.75"            CL = 3"            ED = 4"            (3,000 PSI MIN. CONC.)</p>	

EM = MINIMUM EMBEDMENT (PENETRATION)  
 CL = MINIMUM CENTER TO CENTER ANCHOR SPACING  
 ED = MINIMUM EDGE DISTANCE

THIS SIDE SHOWN ANCHORED WITH STANDARD PIN LATCH  
 (STANDARD LATCH PIN CAN BE USED ON MASONRY INSTALLATIONS WHERE THE DP REQUIREMENT IS DP <= 55 PSF)

**ANCHORING MASONRY CONSTRUCTION**

THIS SIDE SHOWN ANCHORED WITH OPTIONAL MOUNTING BRACKET FOR MASONRY

Documents Prepared By:  
 Lyndon F. Schmidt  
 P.E. No. 43409

**RW** BUILDING CONSULTANTS, INC.  
 P.O. Box 230, Vairico, FL 33595  
 Phone No.: 813.659.9197  
 FBPE Registry No. 9813

PRODUCT: EXTRUDED ALUMINUM BAHAMA HURRICANE SHUTTER  
 PART OR ASSEMBLY: ANCHORING LOCATIONS MASONRY INSTALLATION

NO.	DATE	BY	REVISIONS

DATE: 8/31/23  
 SCALE: N.T.S.  
 DWG. BY: RW  
 CHK. BY: LFS  
 DRAWING NO.: FL-42399.1  
 SHEET 5 OF 6

